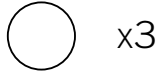
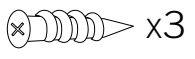


x3



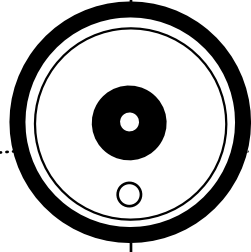
x3



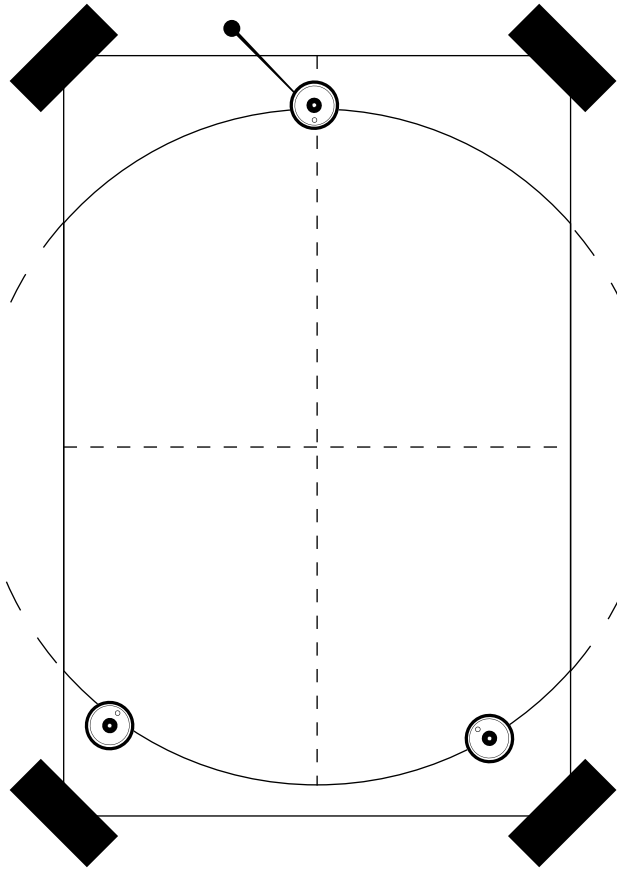
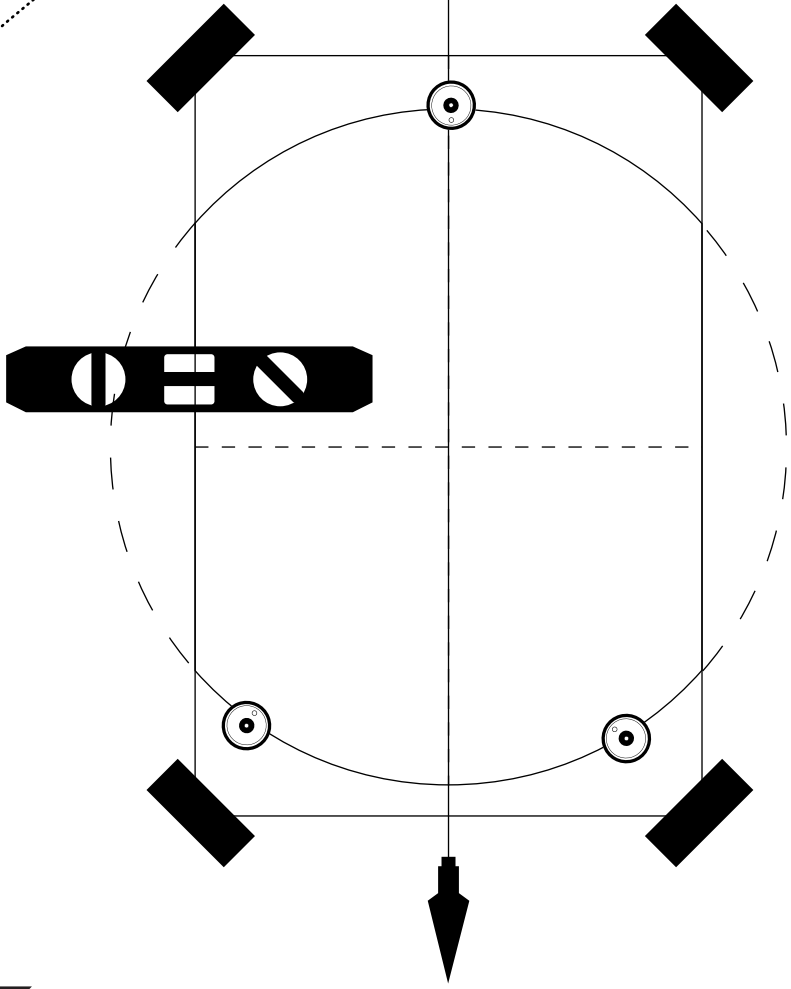
x3



x3



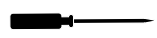
CROSS BAR



1. Tape this instruction sheet to the wall in the position in which you want to install the plaque. Use low tack painter's tape and level this sheet using the cross bars.

2. Mark screw holes with something sharp for screw positions.
3. Remove the instruction sheet.

4. Install three (3) anchors if necessary.
5. Install the bottom two (2) brackets.



6. Install glass and top bracket.
7. Tighten the set screws.
8. Remove the protective cover from the adhesive on back of the cap before installing and tap into place with rubber mallet.

CROSS BAR

