

screw hole

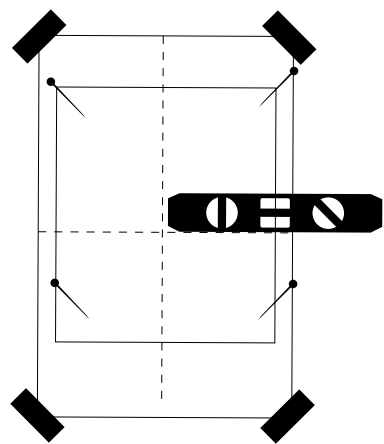
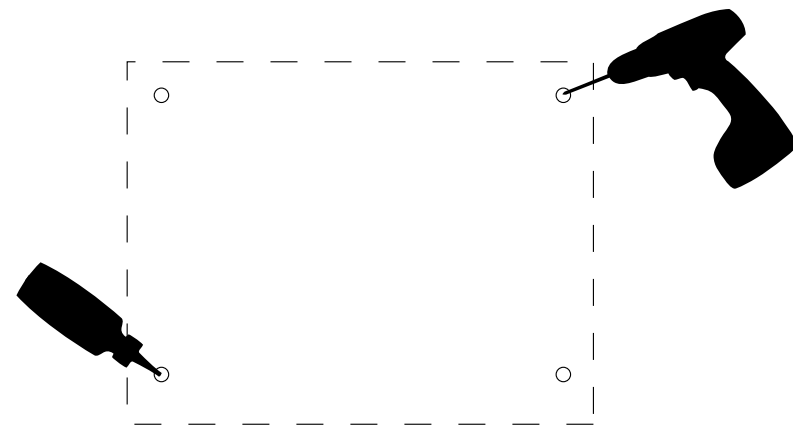


1. Hand-tighten set screws.

screw hole



- 5. Drill holes with 1/8" drill bit.
- 6. Apply Liquid Nail™ or construction glue in holes and on the back of the plaque.



- 2. Tape this instruction sheet to the wall in the position in which you want to install the plaque. Use low tack painter's tape and level this sheet using the cross bars.
- 3. Mark screw holes with something sharp for screw positions.
- 4. Remove the instruction sheet.



screw hole



screw hole

